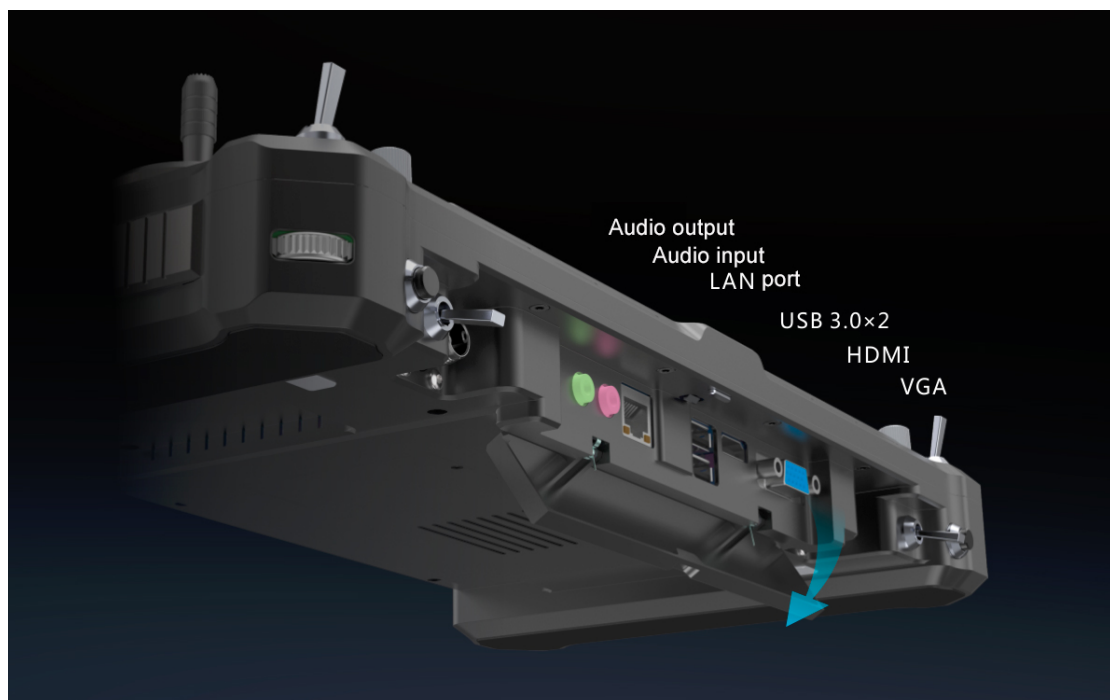




CAS-30 Ground Station Radio



Features

- Multi-mode Joystick: Optional American, Japanese, and Chinese style
- Large Screen: 10.1 Inch touch screen featuring high definition
- Longer Duration Time: Its electricity is up to 9000mAh; and it can be connected with external batteries (Battery is not included in this package)

Upgraded Processor: There are premium i5, i7 processor for you to choose



CAS-30 Specifications

- Channel: 22-CH
- Communications Frequency: 840MHz/900MHz (Optional)
- Effective Distance: 5-30km for R20 Receiver; 3-7km for V20 Receiver (Depends on the environment)
- RF Power: 1W (Adjustable)
- Remote Control Delay: 10ms
- Electricity: 12.6V/9000mAh
- Duration Time: 3 Hours for Full-load
- Dimensions: 364 x 190 x 40mm (L*W*H)
- Net Weight: about 1900g
- Receiver: R20 Receiver; V20 Receiver (Optional)
- Computer System: for Windows 10
- Display Screen: 10.1 Inch + Industrial Touch Screen + 340cd/Visible Screen in Sunlight (Optional)
- Resolution: 1200 x 1920
- Processor: Intel Generation5 4200U i5/i7 (Optional)
- Memory: 4GB/8GB DDR3L (Optional)
- Storage Capacity: 64GB/128GB (Optional)
- Network: 4G/WiFi (Optional)
- External Ports: USB3.0, 4G Slot, LAN Ports, Audio, Amplifier, and HDMI Ports
- Working Temperature: -10°C to 60°C

Optional V20 Image Data Receiver

- Working Frequency: 2.3-2.58GHz
- RC Distance: 3-7km (Depends on the environment)
- Serial Ports: 2-CH TTL
- S-BUS Output: 2-CH S-BUS
- Delay: < 10ms
- Power Supply: 7.4-12V
- Working Bandwidth: 4-8MHz
- Image Resolution: 1080P@F30
- Video Input: LAN Port

Optional R20 Data Receiver

- Working Frequency: 820-845MHz/902-928MHz
- RC Distance: 5-30km (Depends on the environment)
- Serial Ports: 1-CH TTL
- S-BUS Output: 2-CH S-BUS
- Power Supply: 7.4-12V
- Working Current: 300mA (12V Power Supply)
- Power: 0.1-1W
- Working Temperature: -10°C to 50°C